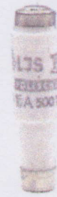
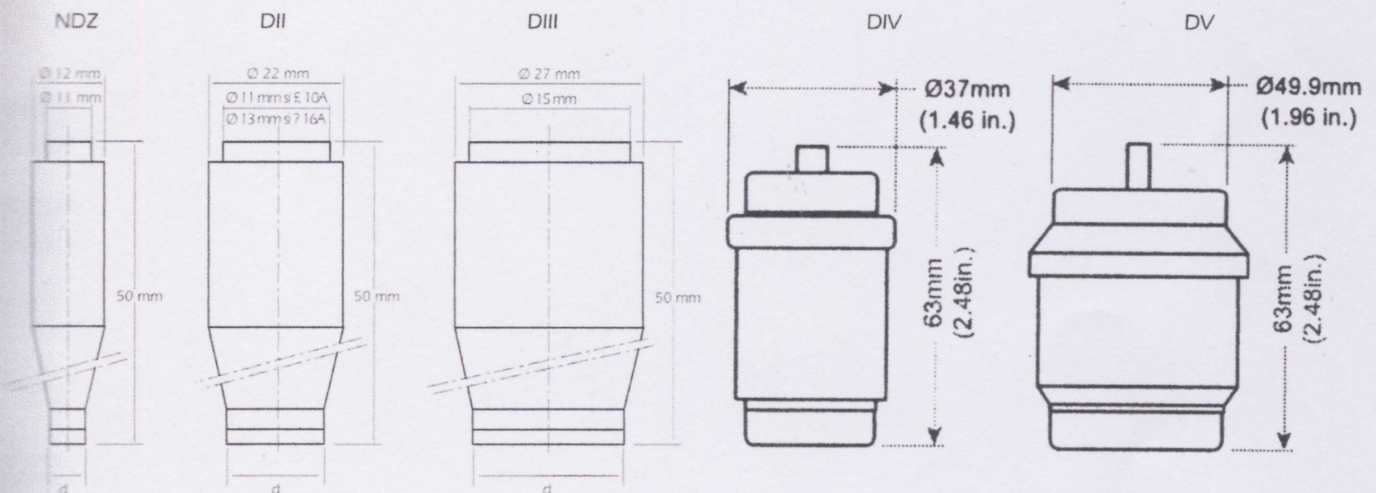


D gG fuses - NDZ, DII, DIII, DIV, DV

Size	Current (A)	Voltage (V)	Color Code	Cat. Number	Ref. number	Pckg
NDZ	2	500V	pink	NDZGG50V2	W212539M	25
NDZ	4	500V	brown	NDZGG50V4	G213055M	25
NDZ	6	500V	green	NDZGG50V6	C213557M	25
NDZ	10	500V	red	NDZGG50V10	B214062M	25
NDZ	16	500V	grey	NDZGG50V16	J214575M	25
NDZ	20	500V	blue	NDZGG50V25	Q215087M	25
NDZ	25	500V	yellow	NDZGG50V25	Q215593M	25
DII	2	500V	pink	DIIGG50V2	Z219718M	25
DII	4	500V	brown	DIIGG50V4	G222163M	25
DII	6	500V	green	DIIGG50V6	B222917M	25
DII	10/6*	500V	red	DIIGG50V10/6F	D213558M	25
DII	10	500V	red	DIIGG50V10	K200707M	25
DII	16	500V	grey	DIIGG50V16	K201765M	25
DII	20	500V	blue	DIIGG50V20	A211508M	25
DII	25	500V	yellow	DIIGG50V25	X212540M	25
DIII	35	500V	black	DIIGG50V35	C214063M	25
DIII	50	500V	white	DIIGG50V50	K214576M	25
DIII	63	500V	copper	DIIGG50V63	R215088M	25
DIV	80	500V	silver	DIVGG50V80	V216609J	10
DIV	100	500V	red	DIVGG50V100	M217637J	10
DV	125	500V	yellow	DVGG50V125	V218150J	10
DV	160	500V	copper	DVGG50V160	G218667J	10
DV	200	500V	blue	DVGG50V200	W219186J	10



*with base contact stud for 6A (without VDE test mark).



Type	NDZ	DII	DIII	DIV	DV
plug diameters	E16	E27	E33	R 1 1/4	R2
d	There is a standardized diameter d for each fuse rating				

Functions

gG industrial fuses – German DIN standard - D EN 60269-1 and 2-1 compliant.
 Old standard (D) on dimensions to mechanically ensure non-interchangeability of ratings.
 Protection for power cables and equipment except motors.
 Selective coordination between two fuses two ratings apart (e.g. 16A and 10A).

Being replaced by NEOZED fuses.
 This single curve replaces previous curves (Träge and Flink).

Applications

Protection at all levels of power distribution.
 Mains, branch circuits, service entrance and point of use equipment.