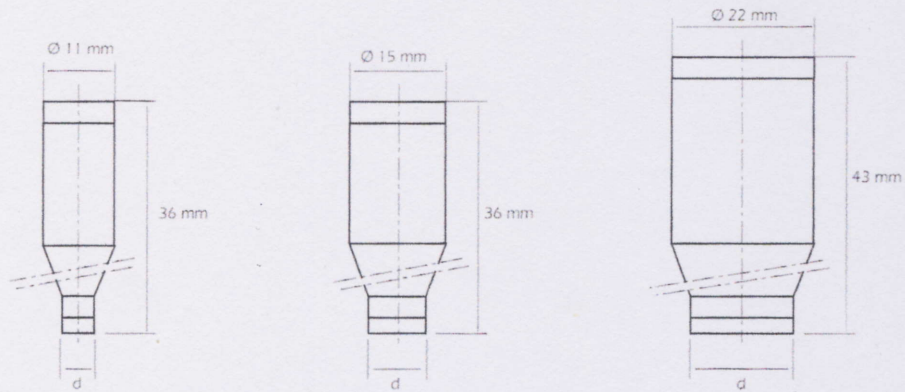


## Neozed gG - D01, D02, D03 - 400Vac/250Vdc

Size	Current (A)	Color Code	Cat.Number	Ref. number	Pckg
D01	2	pink	<b>D01GG40V2</b>	T214676J	10
D01	4	brown	<b>D01GG40V4</b>	W200809J	10
D01	6	green	<b>D01GG40V6</b>	B215695J	10
D01	10	red	<b>D01GG40V10</b>	W211090J	10
D01	13	black	<b>D01GG40V13</b>	C201206J	10
D01	16	grey	<b>D01GG40V16</b>	R223023J	10
D02	20	blue	<b>D01GG40V20</b>	B217742J	10
D02	25	yellow	<b>D01GG40V25</b>	W213160J	10
D02	35	black	<b>D01GG40V35</b>	R219826J	10
D02	50	white	<b>D01GG40V50</b>	D215191J	10
D02	63	copper	<b>D01GG40V63</b>	C201873J	10
D03	80	silver	<b>D01GG40V80</b>	L216716J	10
D03	100	red	<b>D01GG40V100</b>	N212647J	10



Type	D01	D02	D03
plug diameters	E14	E18	M 30x2
d	There is a standardized diameter d for each fuse rating		

## Neozed gG - D01, D02 - 440 Vac/250 Vdc fuses



For Marine application

Size	Rated current (A)	Gauge ring code	Cat. Number	Ref. number	Pckg
D01	2	pink	<b>D01GG44V2</b>	E218780P	50
D01	4	brown	<b>D01GG44V4</b>	V219829P	50
D01	6	green	<b>D01GG44V6</b>	X223028P	50
D01	10	red	<b>D01GG44V10</b>	S201358P	50
D02	20	blue	<b>D02GG44V20</b>	X212126P	50
D02	25	yellow	<b>D02GG44V25</b>	S213663P	50
D02	35	black	<b>D02GG44V35</b>	C214684P	50
D02	50	white	<b>D02GG44V50</b>	J215702P	50
D02	63	copper	<b>D02GG44V63</b>	N216718P	50

